

Rope Pull Switch SRO Metal and plastic version



MANY BENEFITS AT A GLANCE

- As a metal or plastic variant – or as a combination of both
- Particularly compact design for use in confined spaces
- Also available with an emergency stop button as an option for the rope
- Possible tensioning range up to 30 m
- Up to 4 contacts

Technical data

Electrical data

Switching elements

Rated operating voltage U_e 240 V

Rated insulation voltage U_i 400 V AC

Utilisation category/
Switching capacity AC-15, 240 V/3 A ; DC-13, 240 V/1.5 A

Mechanical data

Mechanical switching frequency max. \leq 20/min.

Mechanical service life 1×10^5 switching cycles

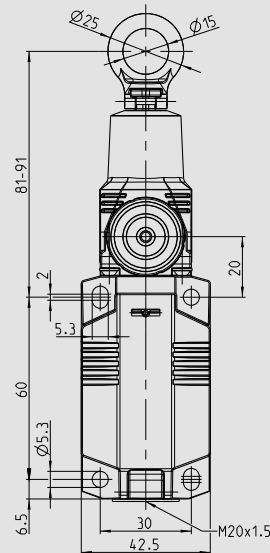
Permissible ambient temperature -30°C to $+75^\circ\text{C}$

Protection class IP67 according to IEC 60529

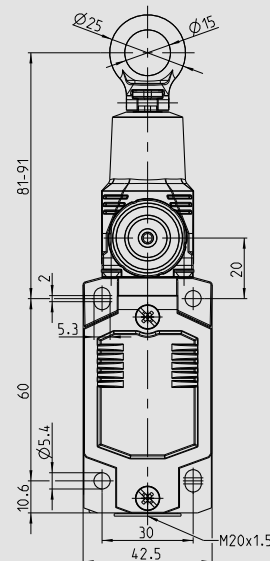
ID for safety engineering

B10d NC 2×10^5 cycles

Plastic version
SRO-I73...VT...



Metal version
SRO-M78...VT...



Product selection

Article number	Designation	Contact type	Max. span length *
6011811127	SRO-I73-11-VT30-1	1 NC/1 NO	max. 30 m
6011811131	SRO-I73-11-VT30-2	1 NC/1 NO	max. 30 m
6011821129	SRO-I73-22-VT30-1	2 NC/2 NO	max. 30 m
6011821133	SRO-I73-22-VT30-2	2 NC/2 NO	max. 30 m
6011861128	SRO-I73-20-VT30-1	2 NC	max. 30 m
6011861132	SRO-I73-20-VT30-2	2 NC	max. 30 m
6011891130	SRO-I73-31-VT30-1	3 NC/1 NO	max. 30 m
6011891135	SRO-I73-31-VT30-2	3 NC/1 NO	max. 30 m
6012861137	SRO-M78-20-VT30-1	2 NC	max. 30 m
6012861141	SRO-M78-20-VT30-2	2 NC	max. 30 m
6012891139	SRO-M78-31-VT30-1	3 NC/1 NO	max. 30 m
6012891143	SRO-M78-31-VT30-2	3 NC/1 NO	max. 30 m

* Temperature-dependent



Options

- M12 connector for easy mounting
- The quick-release clamping device "QF-40" Quick-Fix can be found in the "Accessories" chapter ([page 88](#))



Rope Pull Switch SRO Metal version



MANY BENEFITS AT A GLANCE

- As a metal or plastic variant – or as a combination of both
- Particularly compact design for use in confined spaces
- Also available with an emergency stop button as an option for the rope
- Possible tensioning range up to 30 m
- Up to 4 contacts

Technical data

Electrical data

Switching elements

Rated operating voltage U_e 240 V

Rated insulation voltage U_i 400 V AC

Utilisation category/
Switching capacity AC-15, 240 V/3 A ; DC-13, 240 V/1.5 A

Mechanical data

Enclosure Thermoplastic, glass fibre reinforced (UL 94-V0)

Mechanical switching frequency max. ≤ 20 /min.

Mechanical service life 1×10^5 switching cycles

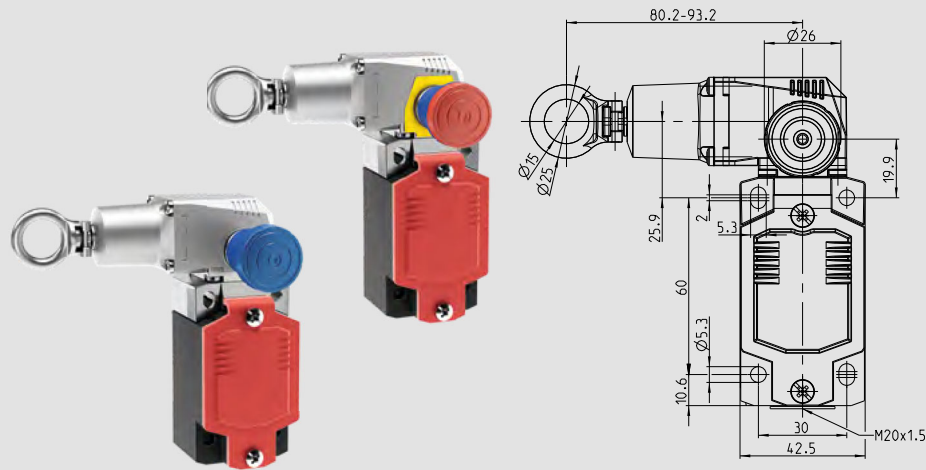
Permissible ambient temperature -30°C to $+75^\circ\text{C}$

Protection class IP67 according to IEC 60529

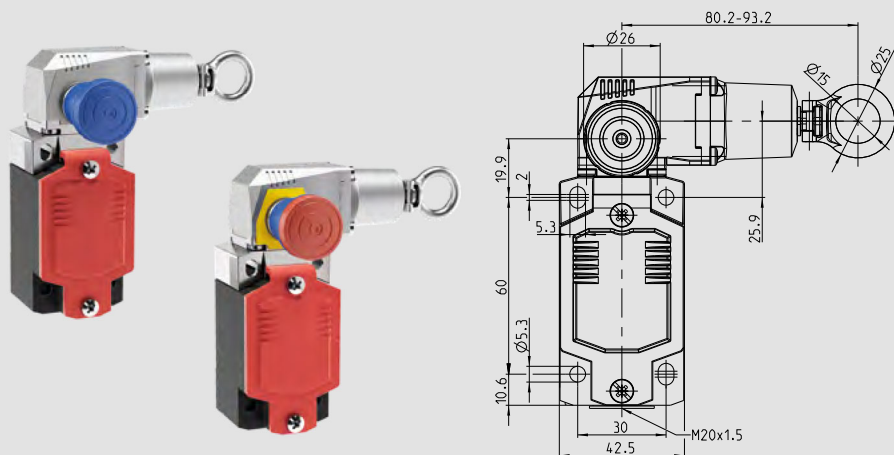
ID for safety engineering

B10d NC 2×10^5 cycles

SRO-M78...HL...



SRO-M78...HR...



Product selection

Article number	Designation	Contact type	Max. span length *
6012891147	SRO-M78-31-HL30-1	3 NC/1 NO	max. 30 m
6012891151	SRO-M78-31-HL30-2	3 NC/1 NO	max. 30 m
6012891155	SRO-M78-31-HR30-1	3 NC/1 NO	max. 30 m
6012891159	SRO-M78-31-HR30-2	3 NC/1 NO	max. 30 m
6012861145	SRO-M78-20-HL30-1	2 NC	max. 30 m
6012861149	SRO-M78-20-HL30-2	2 NC	max. 30 m
6012861153	SRO-M78-20-HR30-1	2 NC	max. 30 m
6012861157	SRO-M78-20-HR30-2	2 NC	max. 30 m

* Temperature-dependent



Optionen

- M12 connector for easy mounting
- Quick-release clamping device "QF-40"
Quick-Fix can be found in the "Accessories" chapter ([page 88](#))